

# BOOMPODS®

power . anywhere . everywhere

User Manual

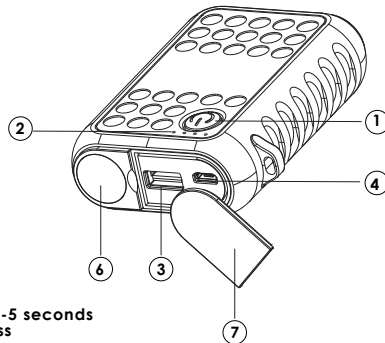
## POWERBOOM X

### 7800mAh

water resistant powerbank

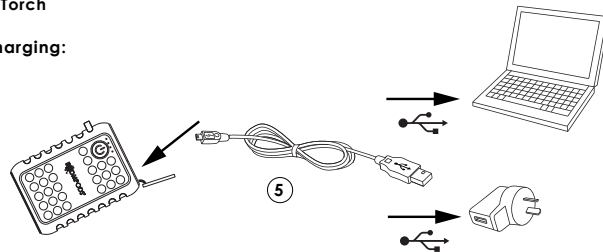
EN

### Quick guides



1. On/off
1. Torch ON - press hold 3-5 seconds
1. Torch OFF - double press
2. LED power indicator
3. USB (out)
4. Micro USB (in)
5. Micro USB cable
6. Torch

### Charging:



### Charging:

Gently open USB cover (7), connect the supplied micro-USB cable (5) to your device & to your power supply, whilst charging the LED lights (2) on your Powerbank will flash in 4 stages, it is fully charged once all 4 LED lights are filled, replace USB cover, please note this must be done correctly or your Powerbank is no longer water resistant which will void your warranty.

To prolong the Powerbanks life its best to not let the battery become completely empty, we also recommend 1-2 complete recharges on a monthly basis to keep your battery at full health.



size: 96 X 67 X 28mm  
weight: 225G  
input: micro USB: DC 5V/2A  
output: USB: DC 5V/2.1A  
total out: DC 5V/2.4A MAX

1x powerbank  
1x USB micro charging cable  
1x user manual

### General guidelines:

Keep away from high temperature or prolonged exposure to direct sunlight.  
Avoid contact with liquids.  
Do not disassemble.  
Do not drop the product.  
Keep out of reach of children.

### Warranty:

Your BOOMPODS product is guaranteed against any defects in material or workmanship for one full year from the date of original purchase providing it has not been disassembled and it has not suffered accidental damage such as a knock or immersion in water, etc.

The device must be used in accordance with the user manual. The warranty is subject to presentation of the original invoice or receipt from the retailer and does not apply to normal wear and tear or to any device that has been misused or tampered with. It should be returned to the local service centre, the service centre will not bear any shipping cost of the returned item.

Please check [www.boompods.com](http://www.boompods.com) for your local service centre.